


---

---

---

---

---

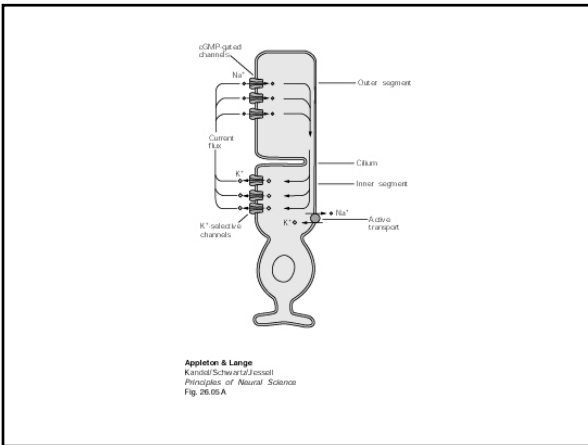
---

---

---

---

---




---

---

---

---

---

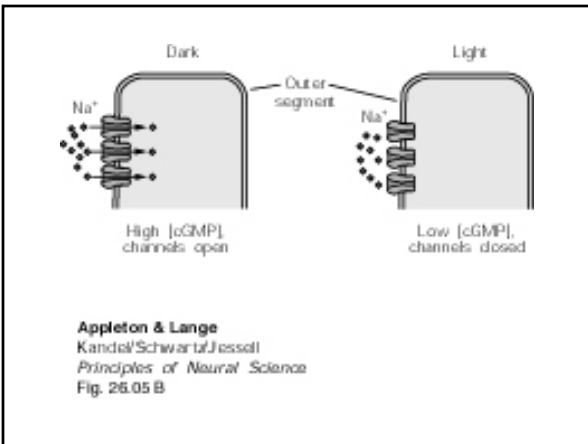
---

---

---

---

---




---

---

---

---

---

---

---

---

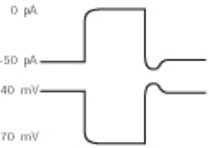
---

---

Stimulus  
(light intensity)



Current across  
outer segment  
membrane



Membrane  
potential



**Appleton & Lange**  
Kandel/Schwartz/Jessell  
*Principles of Neural Science*  
Fig. 26.05 C

---

---

---

---

---

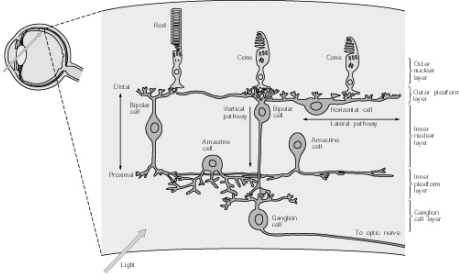
---

---

---

---

---



**Appleton & Lange**  
Kandel/Schwartz/Jessell  
*Principles of Neural Science*  
Fig. 26.06

---

---

---

---

---

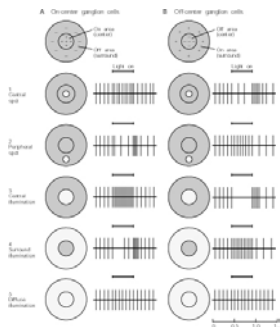
---

---

---

---

---



**Appleton & Lange**  
Kandel/Schwartz/Jessell  
*Principles of Neural Science*  
Fig. 26.07

---

---

---

---

---

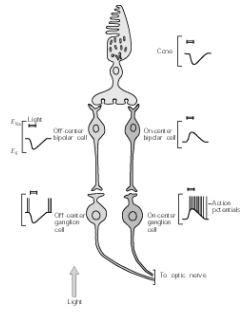
---

---

---

---

---



**Appelton & Lange**  
 Kennel/Schneidman/Passafium  
 Principles of Neural Science  
 Fig. 25.10b

---



---



---



---



---



---



---